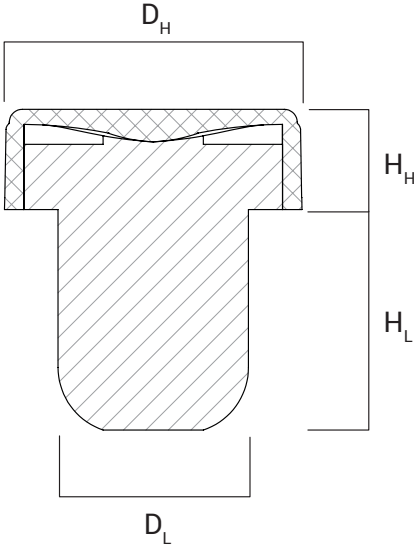


Hard Plastic line



dimensions | mm

D_H	29	31	33	33
H_H	10	10	10	10
D_L	17 - 18 - 18.5 - 19 - 19.5 20 - 21 - 22 - 22.5 - 23	17 - 18 - 18.5 - 19 - 19.5 20 - 21 - 23 - 23.5	17 - 18 - 18.5 - 19 - 19.5 20 - 21 - 23 - 23.5	17 - 18 - 18.5 - 19 - 19.5 20 - 21 - 23 - 23.5
H_L	20 - 22	20 - 22	20 - 22	20 - 22

customizations



Embossing



Debossing